

Architectural Railing



 Bohle

When quality can't be compromised

PROFESSIONALS NEED SYSTEMS THEY CAN COUNT ON.

Introducing Bohle's line of glass railing components - engineered solutions that streamline installations while meeting the strictest building codes.

Every component is designed to save time on the job site without sacrificing structural integrity.

These aren't just products; they're the tools that help professionals deliver exceptional results efficiently.

Whether it's a commercial project or high-end residential work, these systems provide the reliability and performance that separate successful contractors from the competition.



BOHLE RAILING SYSTEMS

VETROMOUNT® Dry Glaze	4
VETROPOST Posts	10
VETROPOINT Standoffs	14
VETROCLAMP Spigots	18
VETRORAIL Handrails	26
VETRORAIL Cap Rails	36

VetroMount®

► DRY GLAZE

Professional installers know that base shoe systems make or break a job's efficiency. VetroMount's dry glaze design eliminates the messy sealant work that slows down traditional installations.



Built from extruded T6 aluminum, this system offers both surface and fascia mounting options to handle any architectural challenge.

The glass tilt adjustability means perfect alignment every time, while the two-tool installation keeps crews moving.

Available with premium 316 Stainless Steel cladding in Brushed Stainless and Matte Black finishes, VetroMount® combines structural performance with the clean aesthetics clients demand.

For contractors tired of complex installations that eat into profits, this system delivers the speed and reliability needed to stay competitive.

VETROMOUNT® DRY GLAZE BASE SHOE

FIELD-READY BASE SHOE

VetroMount: Industry-leading dry glaze system.



Easy.

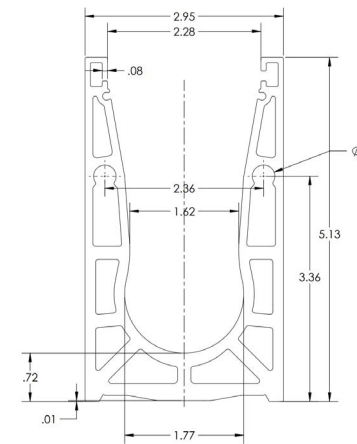
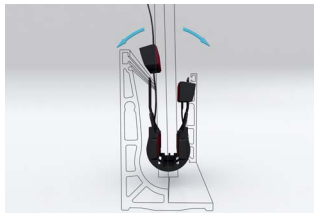
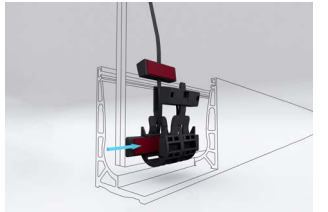
Step 1: Fasten extrusion, insert glass, and slide in clamp.

Adjustable.

Step 2: Adjust glass tilt.

Safe.

Step 3: Pull clamp tight with an upward motion to secure glass inside extrusion.



VetroMount® Dry Glaze Adjustable Base Shoe

T6 aluminum extrusion when combined with VetroMount glass clamps allows for on-site glass tilt adjustability.

MOUNT TYPE	LENGTH	ITEM
Surface mount	10 ft	VBS-SM120-AMI
Surface mount	20 ft	VBS-SM240-AMI
Fascia mount	10 ft	VBS-FM120-AMI
Fascia mount	20 ft	VBS-FM240-AMI

- 5.11" (130 mm) H x 2.95" (75 mm) W
- 1/2" - 13/16" glass thickness
- Mill finish
- IBC 2018 and ASTM E2358 compliant
- Mounting holes drilled 12" apart with 6" on each end
- T6 Aluminum
- Ships LTL

VetroMount® Glass Clamps

Slide-in glass clamps make it easy to install and adjust glass tilt. Color-coded by glass thickness.

GLASS THICKNESS	COLOR	ITEM
1/2 - 9/16"	Yellow	VGC-YE012
5/8"	Green	VGC-GR058
11/16"	Red	VGC-RE111
3/4"	White	VGC-WH034
13/16"	Black	VGC-BL131

- Quantity: Pack of 13



BASE SHOE CLADDING

Surface-mount Base Shoe Cladding

10 ft. long cover plate for surface-mounted Vetromount base shoe in various glass thicknesses.



VCD-SM901-SBR

GLASS THICKNESS	MATERIAL	FINISH	ITEM
1/2" - 9/16"	Stainless Steel 316	Brushed Stainless	VCD-SM901-SBR
1/2" - 9/16"	Aluminum	Matte Black	VCD-SM901-AMB
11/16" - 3/4"	Stainless Steel 316	Brushed Stainless	VCD-SM902-SBR
11/16" - 3/4"	Aluminum	Matte Black	VCD-SM902-AMB
13/16"	Stainless Steel	Brushed Stainless	VCD-SM903-SBR
13/16"	Aluminum	Matte Black	VCD-SM903-AMB

- For use with WCD-AD901 adhesive tape for cladding
- Stainless steel 316
- Ships LTL

Fascia-mount Base Shoe Cladding

10 ft. long cover plate for fascia-mounted Vetromount base shoe in various glass thicknesses.



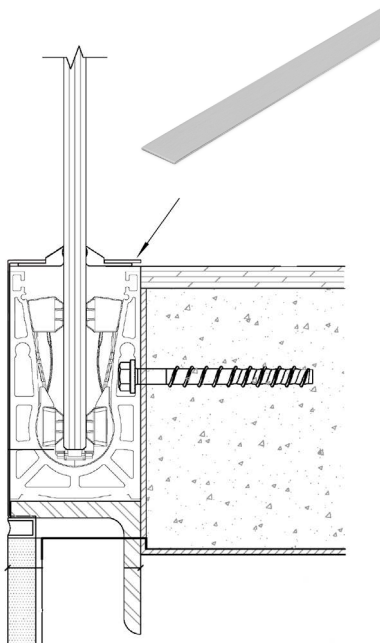
VCD-FM901-SBR

GLASS THICKNESS	FINISH	MATERIAL	ITEM
1/2" - 9/16"	Brushed Stainless	Stainless Steel 316	VCD-FM901-SBR
1/2" - 9/16"	Matte Black	Aluminum	VCD-FM901-AMB
11/16" - 3/4"	Brushed Stainless	Stainless Steel 316	VCD-FM902-SBR
11/16" - 3/4"	Matte Black	Aluminum	VCD-FM902-AMB
13/16"	Brushed Stainless	Stainless Steel 316	VCD-FM903-SBR
13/16"	Matte Black	Aluminum	VCD-FM903-AMB

- For use with WCD-AD901 adhesive tape for cladding
- Stainless steel 316
- Ships LTL

Fascia-mount Top Cladding Strip

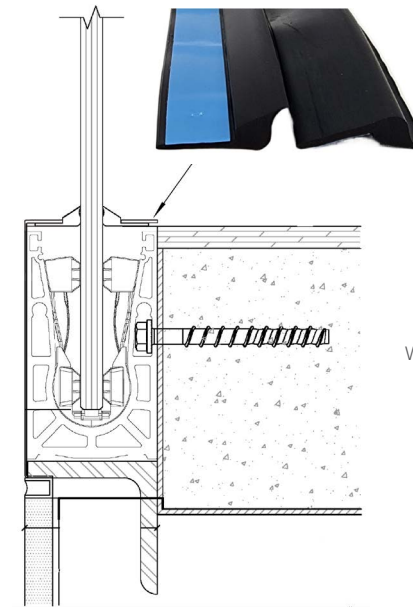
10 ft. long cladding strip can be adhered to remaining exposed top of base shoe for fascia-mounted applications.



WCD-FM904-SBR

GLASS THICKNESS	FINISH	ITEM
1/2" - 9/16"	Brushed Stainless	WCD-FM904-SBR
1/2" - 9/16"	Matte Black	WCD-FM904-AMB
11/16" - 3/4"	Brushed Stainless	VCD-FM905-SBR
11/16" - 3/4"	Matte Black	VCD-FM905-AMB
13/16"	Brushed Stainless	VCD-FM906-SBR
13/16"	Matte Black	VCD-FM906-AMB

- If installing dry glaze, use with VGA-UN020-RBL or VGA-UN100-RBL self-adhesive rubber gasket
- Stainless steel 316



VGA-UN020-RBL

Self-Adhesive Cladding Gasket

10 ft. long rubber gasket with adhesive strip to be directly adhered to underside of top lip of cladding strip for fascia mounting.

DESCRIPTION	LENGTH	ITEM
Universal gasket	20 ft	VGA-UN020-RBL
Universal gasket	100 ft	VGA-UN100-RBL

- High bond - place carefully as adhesion will be permanent
- Black rubber

Dry Glaze End Cap

Glues on to end of extrusion for seamless look to end of railing run.

DESCRIPTION	FINISH	ITEM
Surface mount	Brushed Stainless	VEC-SM901-SBR
Surface mount	Matte Black	VEC-SM901-AMB
Fascia mount	Brushed Stainless	VEC-FM901-SBR
Fascia mount	Matte Black	VEC-FM901-AMB

- Sold individually
- Use with HAC-AH901 Loctite epoxy EA9017
- Stainless steel 316

Adhesive Tape for Cladding

108 ft. long and 3/4" wide double-sided tape for securing cladding to base shoe.



WCD-AD901

ITEM
WCD-AD901

- High bond - place carefully as adhesion will be permanent

BASE SHOE ACCESSORIES



VAC-AT901

VetroMount® Assembly Tool

Makes installing VetroMount clamps a breeze. Simply brace against the glass and tap in with a mallet.

	ITEM
	VAC-AT901

- Steel



VGA-12020-RBL

Inner and Outer Gaskets for Base Shoe without Cladding

20 ft. and 100 ft. length gasket for dry glaze railing applications without cladding. Fits flush with top of extrusion.

GLASS THICKNESS	LENGTH	ITEM
1/2" - 9/16"	20 ft	VGA-12020-RBL
1/2" - 9/16"	100 ft	VGA-12100-RBL
5/8" - 3/4"	20 ft	VGA-58020-RBL
5/8" - 3/4"	100 ft	VGA-58100-RBL
13/16"	20 ft	VGA-34020-RBL
13/16"	100 ft	VGA-34100-RBL

- Includes: One (1) inner and one (1) outer gasket
- Push fit rubber



VAC-SP381



Vertical Glass Panel Spacer

39" long rubber strip defines space between glass panes.

GLASS THICKNESS	ITEM
1/2" - 9/16"	VAC-SP381
5/8" - 11/16"	VAC-SP382
13/16"	VAC-SP383

- Can be cut to desired length
- Rubber



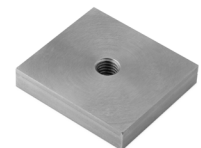
VDB-29901-AMI

Aluminum Base Shoe Drain Blocks

Spaces extrusion from surface to prevent water pooling in dry glaze base shoe installations.

FINISH	ITEM
Satin Anodized	VDB-29901-AMI
Matte Black	VDB-29901-AMB

- Quantity: Pack of 10
- 2.50" W x 2.937" L x 0.375" H
- Aluminum



VAC-WB212-SRA

Steel Weld Base Shoe Blocks

Provides a structural, weldable interface between the aluminum base shoe and steel substrate.

	ITEM
	VAC-WB212-SRA

- Quantity: Pack of 10
- 2-1/2" W x 2-3/4" L
- 1/2" - 13 Thread
- Use with VAC-AN0901 weld block screws
- Raw carbon steel



VAC-AN138

HILTI KWIK HUS EZ Anchor Bolts

4" long anchors for dry glaze base shoe installation into concrete substrate.

DIMENSIONS	QUANTITY	ITEM
3/8" x 4"	x 50	VAC-AN138
1/2" x 4"	x 25	VAC-AN112

- Socket Drive
- Steel



VAC-AN0901

Base Shoe Weld Block Screws

Hex drive screw locks base shoe to steel weld block.

	ITEM
	VAC-AN0901

- Quantity: Pack of 10
- 1/2" - 13 hex drive
- Black oxide-coated steel



VAC-SS901

Base Shoe Stair Stopper

Allows angled installation of glass panes.

	ITEM
	VAC-SS901

- Screw to install
- Black plastic



VAC-CP901

VetroMount® Connector Pins

Connect VetroMount® Dry Glaze Base Shoe end-to-end for perfect alignment.

	ITEM
	VAC-CP901

- Sold individually
- Stainless steel 316



HAC-AH901

Loctite Epoxy EA9017

Industry standard adhesive for creating permanent bond between railing connections and parts.

	ITEM
29.5 ml ready-mix syringe	HAC-AH901

VetroPost

POSTS

Professional-grade posts need to handle structural loads while delivering the clean lines architects specify, and VetroPost systems deliver both with 0.142" thick tubing crafted from premium 316 Stainless Steel for the strength and corrosion resistance critical to long-term performance.



These posts offer both fascia and surface mounting options with fully adjustable tops, giving installers the flexibility to handle any design requirement.

Available in Matte Black and Brushed Stainless finishes, VetroPost systems integrate seamlessly into diverse architectural styles.

The adjustable post tops ensure proper alignment and load distribution, while the robust construction meets the demands of both commercial and residential applications.

For projects where structural integrity and visual appeal must work together, VetroPost delivers reliable performance.

VETROPOST

Round Tube End Post

Glass clamps and Schedule 40 tubing tapped and threaded on one side.

MOUNT TYPE	FINISH	ITEM
Surface Mount	Brushed Stainless	PRC-EP019-SBR
Surface Mount	Matte Black	PRC-EP019-SMB
Fascia Mount	Brushed Stainless	PRC-FE019-SBR
Fascia Mount	Matte Black	PRC-FE019-SMB

- Includes:
 - One (1) post tube
 - Two (2) post clamps
 - One (1) Post Base Plate Cover (surface mount only)
 - One (1) ea. of 3/8", 1/2", 9/16" black rubber clamp gaskets
 - Four (4) screw top covers
- Post tube 1.90" O/D and 39-5/16" high
- For glass thickness 3/8" - 9/16"
- Stainless steel 316
- Post top not included



Round Tube 180° Intermediate Post

Glass clamps and Schedule 40 tubing tapped and threaded on both sides.

MOUNT TYPE	FINISH	ITEM
Surface Mount	Brushed Stainless	PRC-IP019-SBR
Surface Mount	Matte Black	PRC-IP019-SMB
Fascia Mount	Brushed Stainless	PRC-FI019-SBR
Fascia Mount	Matte Black	PRC-FI019-SMB

- Includes:
 - One (1) post tube
 - Four (4) post clamps
 - One (1) Post Base Plate Cover (surface mount only)
 - One (1) ea. of 3/8", 1/2", 9/16" black rubber clamp gaskets
 - Eight (8) screw top covers
- Post tube 1.90" O/D and 39-5/16" high
- For glass thickness 3/8" - 9/16"
- Stainless steel 316
- Post top not included



Round Tube 90° Corner Post

Glass clamps and Schedule 40 tubing tapped and threaded on both sides.

MOUNT TYPE	FINISH	ITEM
Surface Mount	Brushed Stainless	PRC-CP019-SBR
Surface Mount	Matte Black	PRC-CP019-SMB
Fascia Mount	Brushed Stainless	PRC-FC019-SBR
Fascia Mount	Matte Black	PRC-FC019-SMB

- Includes:
 - One (1) post tube
 - Four (4) post clamps
 - One (1) Post Base Plate Cover (surface mount only)
 - One (1) ea. of 3/8", 1/2", 9/16" black rubber clamp gaskets
 - Eight (8) screw top covers
- Post tube 1.90" O/D and 39-5/16" high
- For glass thickness 3/8" - 9/16"
- Stainless steel 316
- Post top not included



VETROPOST BRACKETS AND CLAMPS



PRC-BR902-SBR

Height-Adjustable Fascia Mount Round Tube Post Bracket

Height adjustable fascia post mount with two slip rings that can be tightened at desired height; for 1.90" O/D post tube.

FINISH	ITEM
Brushed Stainless	PRC-BR902-SBR
Matte Black	PRC-BR902-SMB

- Post height adjustable by up to 2" per common codes and regulations
- Mount with VAC-AN138 3/8" Hilti KWIK HUS EZ anchor bolts (not included)
- Stainless steel 316



PRC-BR901-SMB

Fixed Fascia Mount Round Tube Post Bracket

Fixed fascia post mount for simple installations for 1.90" O/D round post tube.

FINISH	ITEM
Brushed Stainless	PRC-BR901-SBR
Matte Black	PRC-BR901-SMB

- Non-adjustable
- Mount with VAC-AN138 3/8" Hilti KWIK HUS EZ anchor bolts (not included)
- Stainless steel 316



PRC-T0180-SBR

Multi-Adjustable Round Tube Post Top

Adjustable height and saddle angle post topper.

DESCRIPTION	Saddle Adjustability	FINISH	ITEM
Straight post top	180° adjustable	Brushed Stainless	PRC-T0180-SBR
Straight post top	180° adjustable	Matte Black	PRC-T0180-SMB
Corner (90°) post top*	180° adjustable one side only	Brushed Stainless	PRC-T0090-SBR
Corner (90°) post top*	180° adjustable one side only	Matte Black	PRC-T0090-SMB

- Adjustable saddle includes:
 - One (1) post top
 - One (1) saddle for 1.55" tube
 - One (1) saddle for 1.66" tube
 - One (1) saddle for 1.90" tube
 - One (1) saddle for flat/square tube
- Also includes:
 - #10-24 x 5/8" button head machine screw
 - #10-24 x 3/4" flat head machine screw
 - Adjustable height and saddle
 - Riser height adjustable by up to 2"
- Corrosion resistant stainless steel



PTU-16901-SBR

Round Tube for Post Fabrication

20 ft. of Schedule 40 round post tube for fabrication.

Outer Diameter	Weight	FINISH	ITEM
1.66" O/D	45.42 lbs	Brushed Stainless	PTU-16901-SBR
1.66" O/D	45.42 lbs	Matte Black	PTU-16901-SMB
1.90" O/D	53.33 lbs	Brushed Stainless	PTU-19901-SBR
1.90" O/D	53.33 lbs	Matte Black	PTU-19901-SMB

- .142" wall thickness
- Ships LTL
- Stainless steel 316



PAC-GC902-SMB



PAC-GC901-SMB

Glass Clamp for Round Tube Posts

Glass clamp for round and square tubes and 3/8" - 9/16" glass thickness.

POST SHAPE	POST TUBE SIZE	FINISH	ITEM
Round	For 1.90" O/D	Brushed Stainless	PAC-GC901-SBR
Round	For 1.90" O/D	Matte Black	PAC-GC901-SMB
Square	Flat square tube	Brushed Stainless	PAC-GC902-SBR
Square	Flat square tube	Matte Black	PAC-GC902-SMB

- Includes:
 - Glass clamp (x1)
 - 3/8" glass clamp gasket (x1)
 - 1/2" glass clamp gasket (x1)
 - 9/16" glass clamp gasket (x1)
- Also includes:
 - Clamp tightening screws (pictured)
 - Security pin (x)
- Stainless steel 316
- For 3/8" - 9/16" glass thickness



PAC-CG038

Glass Clamp Gasket

Replacement clamp gasket for post clamps.

GLASS SIZE	ITEM
For 3/8" glass	PAC-CG038
For 1/2" glass	PAC-CG012
For 9/16" glass	PAC-CG091

- Compatible with PAC-GC901 and PAC-GC902 clamps
- Black rubber
- Quantity: Pack of 2



PAC-SP901

Security Pin

Replacement pin for glass clamps; installed into pre-fabricated hole in glass to add fail-safe for glass slippage if gaskets fail.

DESCRIPTION	ITEM
For post glass clamps	PAC-SP901

- Clamps sold separately
- 24mm Lw
- Stainless steel 316

VetroPoint

STANDOFFS

Glass thickness variations and alignment challenges can turn straightforward installations into time-consuming headaches. VetroPoint standoffs eliminate these problems with both adjustable and fixed options designed for effortless usability.



The adjustable standoffs offer unparalleled ease in accommodating various glass thicknesses, ensuring seamless installations regardless of material specifications.

Crafted from premium-grade materials including resilient 316 Stainless Steel, VetroPoint standoffs provide exceptional durability and corrosion resistance.

Available in sleek Matte Black and Brushed Stainless finishes, these components maintain the clean aesthetic lines that define professional glass installations.

For contractors who need reliable solutions to handle glass mounting challenges efficiently, VetroPoint standoffs provide the precision and adaptability that keep projects on schedule and within budget.

MULTI-ADJUSTABLE STANDOFFS

FIELD-READY STANDOFFS

NEW VetroPoint with multi-axis adjustability.

The OAD-20031 and OAD-20131 are built around a simple reality: substrates aren't always plumb and field conditions rarely match the plan.

Separate adjustment for glass tilt, projection, and vertical means installers have the flexibility to dial in a clean result regardless of what the structure gives them. Third-party certified for load-bearing railing and versatile enough for windscreens and partitions, this is the specification-grade solution that holds up on paper and in the field.

Projection adjustability



Glass tilt adjustability



OAD-20031-SMB



OAD-20131-SBR

Multi-Adjustable Railing Standoff

Standoff 2" projection with adjustability up to 2-1/4" from substrate for glass railing, partition or windshield applications. Adjustable projection and glass tilt.

SHAPE	SIZE	FINISH	ITEM
Round Standoff	2" Outer Diameter	Brushed Stainless	OAD-20031-SBR
Round Standoff	2" Outer Diameter	Matte Black	OAD-20031-SMB
Square Standoff	2" x 2" Square	Brushed Stainless	OAD-20131-SBR
Square Standoff	2" x 2" Square	Matte Black	OAD-20131-SMB

- For 3/8" - 13/16" glass thickness
- Includes one standoff and two gaskets
- 2" projection
- Use C-spanner or allen key to tighten standoff cap
- + 1/4" projection adjustability
- +/- 3° glass tilt range
- +/- 1/4" vertical/horizontal adjustability via mounting slot
- Stainless steel 316
- Mounting hardware not included

NON-ADJUSTABLE STANDOFFS

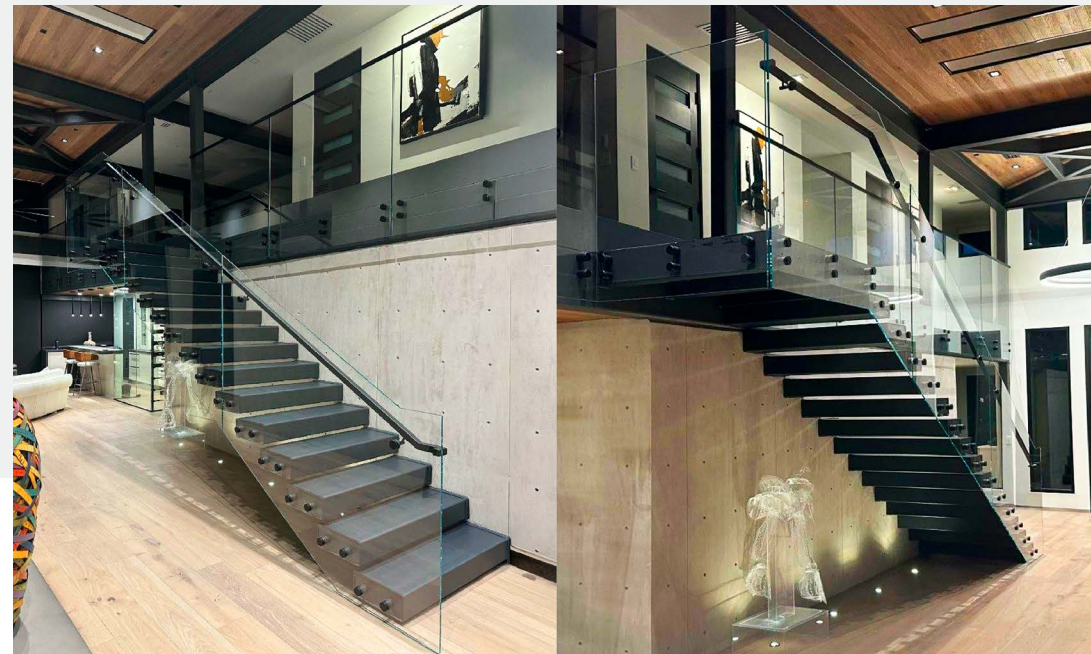


Photo courtesy Ever-Ready Glass, AZ

MULTI-ADJUSTABLE W. BACKPLATE

NEW



OAD-20032-SBR

Two (2) Round Multi-Adjustable Railing Standoffs with Backplate

Standoffs with 2" outer diameter (OD), 4" x 8" backplate, and 2" projection with adjustability up to 2-1/4" from substrate for glass railing, partition or windshield applications. Adjustable projection and glass tilt.

FINISH	ITEM
Brushed Stainless	OAD-20032-SBR
Matte Black	OAD-20032-SMB

- For 3/8" - 13/16" glass thickness
- Includes:
 - One (1) 4" x 8" 3/8" backplate
 - Two (2) multi-adjustable standoffs
 - Two (2) M12X25 screw and insert to attach standoffs to backplate
- Use C-spanner or allen key to tighten standoff cap
- 2" standoff projection
- Backplate adds 0.39" from substrate
- + 1/4" projection adjustability
- +/- 3° glass tilt range
- Stainless steel 316
- Mounting hardware not included

NEW



OAD-20132-SMB

Two (2) Square Multi-Adjustable Railing Standoffs with Backplate

2" x 2" square standoffs, 4" x 8" backplate, and 2" projection with adjustability up to 2-1/4" from substrate for glass railing, partition or windshield applications. Adjustable projection and glass tilt.

FINISH	ITEM
Brushed Stainless	OAD-20132-SBR
Matte Black	OAD-20132-SMB

- For 3/8" - 13/16" glass thickness
- Includes:
 - One (1) 4" x 8" 3/8" backplate
 - Two (2) multi-adjustable standoffs
 - Two (2) M12X25 screw and insert to attach standoffs to backplate
- Use C-spanner or allen key to tighten standoff cap
- 2" standoff projection
- Backplate adds 0.39" from substrate
- + 1/4" projection adjustability
- +/- 3° glass tilt range
- Stainless steel 316
- Mounting hardware not included

1/2" Projection Non-Adjustable Standoff

Non-adjustable standoff with 1/2" projection for glass partition or windshield application where on-site adjustments won't be needed.



ONA-15012-SBR

ONA-20012-SMB

OUTER DIAMETER	FINISH	ITEM
1-1/2"	Brushed Stainless	ONA-15012-SBR
1-1/2"	Matte Black	ONA-15012-SMB
1-15/16"	Brushed Stainless	ONA-20012-SBR
1-15/16"	Matte Black	ONA-20012-SMB

- Each standoff includes two (2) gaskets to accommodate glass thickness
- Install with 3/8" stud or bolt, depending on substrate (not included)
- Use standoff tool, C-spanner, or allen key to tighten standoff cap
- Compatible with threaded studs: ONA-A901, ONA-A902, ONA-A903
- Stainless steel 316
- For 3/8" - 1/2" glass thickness

1" Projection Non-Adjustable Standoff

Non-adjustable standoff with 1" projection for glass partition or windshield application where on-site adjustments won't be needed.



ONA-15010-SBR

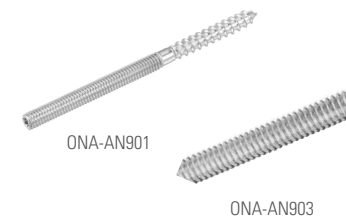
ONA-20010-SMB

OUTER DIAMETER	FINISH	ITEM
1-1/2"	Brushed Stainless	ONA-15010-SBR
1-1/2"	Matte Black	ONA-15010-SMB
1-15/16"	Brushed Stainless	ONA-20010-SBR
1-15/16"	Matte Black	ONA-20010-SMB

- Each standoff includes two (2) gaskets to accommodate glass thickness
- Install with 3/8" stud or bolt, depending on substrate (not included)
- Use standoff tool, C-spanner, or allen key to tighten standoff cap
- Compatible with threaded studs: ONA-A901, ONA-A902, ONA-A903
- Stainless steel 316
- For 3/8" - 1/2" glass thickness

Anchors for Non-Adjustable Railing Standoffs

Corrosion-resistant 3/8" threaded screws and studs for installation of non-adjustable standoff railings.



ONA-AN901

ONA-AN903

DESCRIPTION	OVERALL LENGTH	ITEM
Hangar Bolt	3-1/2"	ONA-AN901
Threaded Stud	2"	ONA-AN903
Threaded Stud	2-1/2"	ONA-AN902

- Each are 3/8" (16) threaded
- Each item is a pack of 10
- Stainless steel 18-8

Tool for Round Standoffs Installation

Allows use of socket for proper torquing of standoffs for quick and secure installation of round standoffs.



SAC-T0902

OUTER DIAMETER (O/D)	ITEM
1-1/2" ONA-15010, ONA-15012	SAC-T0901
2" ONA-20010, ONA-20012, OAD-20031, OAD-20032	SAC-T0902

- Compatible only with round standoffs
- Steel

VetroClamp

▶ SPIGOTS | BASE CLAMPS

Pool areas and hazardous spaces require glass mounting systems that prioritize both safety and aesthetics. VetroClamp's innovative glass base clamp line provides the adjustability and visual appeal these demanding applications require.

Bohle's comprehensive collection includes versatile hinges designed to mount seamlessly to glass, walls, tubing, and square posts, giving installers maximum flexibility.

Available in sophisticated Matte Black and Brushed Stainless finishes, these components are crafted from premium 316 Stainless Steel for exceptional durability and corrosion resistance.

The glass connector range encompasses wall mounting options in both adjustable and fixed variations, accommodating round and square designs.

VetroClamp systems ensure that safety-critical installations can be completed efficiently while maintaining the clean, professional appearance that distinguishes quality work.



SURFACE MOUNT BASE CLAMP

FIELD-READY BASE CLAMP RAILING

NEW VetroClamp with multi-axis adjustability.

The SSM-AD902 and SSM-AD906 absorb imperfect substrates, unknown field conditions, and real-world installation tolerances.

Third-party certified for load-bearing railing and versatile enough for partitions and windscreens, these base clamps are the specification-grade solution that let engineers design with confidence and installers get it right the first time.



SSM-AD902-SBR

Spigot Glass Base Clamp Fully Adjustable Surface Mount

Multi-axis adjustable glass base clamp for railing, windscreen, and partition applications. Adjustable base level and adjustable glass tilt. Third-party engineering certification available.

GLASS THICKNESS	FINISH	ITEM
3/8" - 1/2"	Brushed Stainless	SSM-AD902-SBR
3/8" - 1/2"	Matte Black	SSM-AD902-SMB
9/16" - 11/16"	Brushed Stainless	SSM-AD906-SBR
9/16" - 11/16"	Matte Black	SSM-AD906-SMB

- Includes:
 - Four (4) base adjustment screws
 - One (1) base plate
 - One (1) cover plate
- Mounting hardware not included
- Clamp profile measures 1.89" W x 6.29" H
- Base measures 3.94" x 3.94"
- Stainless steel 316
- Adjustable glass tilt +/- 1.5° and adjustable base level



Photo courtesy Blu's Shower Door, MA



SURFACE MOUNT BASE CLAMP

BASE CLAMP STAIRS AND CORNERS



SSM-EN902-SMB

Spigot Base Clamp Adjustable Surface Mount End with Cover Plate

Left and right end glass base clamps with adjustable glass tilt for windscreen and partition applications.

SIDE	FINISH	ITEM
Left Hand	Brushed Stainless	SSM-EN901-SBR
Left Hand	Matte Black	SSM-EN901-SMB
Right Hand	Brushed Stainless	SSM-EN902-SBR
Right Hand	Matte Black	SSM-EN902-SMB

- Includes:
 - One (1) cover plate
 - Mounting hardware not included
- For glass thickness 3/8" - 1/2"
- Clamp profile measures 1.89" W x 6.29" H
- Base measures ~3" x ~4"
- Stainless steel 316
- Adjustable glass tilt +/- 1.5°



SSM-AD903-SBR

Spigot Base Clamp Adjustable Surface Mount with Cover Plate

Angled (35°) glass base clamp for stair and ramp with adjustable glass tilt for windscreen and partition applications.

RAMP OR STAIR SIDE	FINISH	ITEM
Left Hand	Brushed Stainless	SSM-AD903-SBR
Left Hand	Matte Black	SSM-AD903-SMB
Right Hand	Brushed Stainless	SSM-AD905-SBR
Right Hand	Matte Black	SSM-AD905-SMB

- Includes:
 - One (1) cover plate
 - Mounting hardware not included
- For glass thickness 3/8" - 1/2"
- Clamp profile measures 1.97" W x 7.86" H
- Base measures 2.90 x 3.54
- Stainless steel 316
- Adjustable glass tilt +/- 1.5°



SSM-IN901-SMB

Spigot Base Clamp Adjustable Surface Mount 180° with Cover Plate

Double-sided glass-to-glass base clamp with adjustable glass tilt for windscreen and partition applications.

FINISH	ITEM
Brushed Stainless	SSM-IN901-SBR
Matte Black	SSM-IN901-SMB

- Includes:
 - One (1) cover plate
 - Mounting hardware not included
- For glass thickness 3/8" - 1/2"
- Clamp profile measures 2.62" W x 5.63" H
- Base measures 4.59" x 3.54"
- Stainless steel 316
- Adjustable glass tilt +/- 1.5°



SSM-CR901-SBR

Spigot Base Clamp Adjustable Surface Mount 90° with Cover Plate

Double-sided glass-to-glass corner base clamp with adjustable glass tilt for windscreen and partition applications.

FINISH	ITEM
Brushed Stainless	SSM-CR901-SBR
Matte Black	SSM-CR901-SMB

- Includes:
 - One (1) cover plate
 - Mounting hardware not included
- For glass thickness 3/8" - 1/2"
- Clamp profile measures 2.62" W x 5.63" H
- Base measures 4.59" x 3.54"
- Stainless steel 316
- Adjustable glass tilt +/- 1.5°

CORE AND FASCIA MOUNT BASE CLAMP

CONNECTING CORNERS AND WALLS



SCO-NA901-SBR

Spigot Base Clamp Non-Adjustable Core Mount with Cover Plate

Fixed base clamp for simple windscreen and partition applications with no need for on-site glass tilt adjustments.

FINISH	ITEM
Brushed Stainless	SCO-NA901-SBR
Matte Black	SCO-NA901-SMB

- Includes one (1) threaded rod for mounting and one (1) cover plate
- For 3/8" - 9/16" glass thickness
- Stainless steel 316
- Non-adjustable
- Clamp profile measures 1.97" W x 9.84" H



SGC-NA901-SMB

Square Extended Glass-to-Wall Panel Connector, Non-Adjustable

Connects glass panel to wall for railing, windscreen, and partition applications.

FINISH	ITEM
Brushed Stainless	SGC-NA901-SBR
Matte Black	SGC-NA901-SMB

- Non-adjustable
- Profile measures 1.96 W x 5.64 W
- Stainless steel 316
- For 3/8" - 1/2" glass thickness



SFM-AD901-SMB

Spigot Base Clamp Adjustable Fascia Mount

Double-sided base clamp with adjustable glass tilt for windscreen and partition applications.

FINISH	ITEM
Brushed Stainless	SFM-AD901-SBR
Matte Black	SFM-AD901-SMB

- Two wood mounting screws included
- For glass thickness 3/8" - 1/2"
- Stainless steel 316
- Adjustable glass tilt +/- 1.5°



SGC-NA091-SBR

SGC-NA093-SMB

Square Glass-to-Wall Panel Connector, 90° Non-Adjustable Corner

Connects glass panel to wall for railing, windscreen, and partition applications.

GLASS SIZE	FINISH	ITEM
3/8" - 1/2"	Brushed Stainless	SGC-NA091-SBR
3/8" - 1/2"	Matte Black	SGC-NA091-SMB
11/16" - 3/4"	Brushed Stainless	SGC-NA093-SBR
11/16" - 3/4"	Matte Black	SGC-NA093-SMB

- Non-adjustable
- Measures approx. 2-3/4" L either side
- Stainless steel 316

SQUARE GLASS PANEL CONNECTOR



SGC-AD180-SBR

SGC-AD181-SMB

Square Glass-to-Glass Panel Connector, 0° - 180° Adjustability Range

Double-sided panel connector for railing, windscreen, and partition applications with adjustable angle.

GLASS SIZE	FINISH	ITEM
3/8" - 1/2"	Brushed Stainless	SGC-AD180-SBR
3/8" - 1/2"	Matte Black	SGC-AD180-SMB
11/16" - 3/4"	Brushed Stainless	SGC-AD181-SBR
11/16" - 3/4"	Matte Black	SGC-AD181-SMB

- Measures 5.26" L
- Stainless steel 316
- Adjustable angle +/- 180°



SGC-NA180-SBR

SGC-NA182-SMB

Square Glass-to-Glass Panel Connector, Non-Adjustable

Fixed, double-sided glass panel connector for railing, windscreen, and partition applications.

GLASS SIZE	FINISH	ITEM
3/8" - 1/2"	Brushed Stainless	SGC-NA180-SBR
3/8" - 1/2"	Matte Black	SGC-NA180-SMB
11/16" - 3/4"	Brushed Stainless	SGC-NA182-SBR
11/16" - 3/4"	Matte Black	SGC-NA182-SMB

- Non-adjustable
- Measures 3.86" L
- Stainless steel 316



SGC-NA090-SBR

SGC-NA094-SMB

Square Glass-to-Glass Panel Connector, 90° Non-Adjustable Corner

Double-sided corner panel connector for railing, windscreen, and partition applications.

GLASS SIZE	FINISH	ITEM
3/8" - 1/2"	Brushed Stainless	SGC-NA090-SBR
3/8" - 1/2"	Matte Black	SGC-NA090-SMB
11/16" - 3/4"	Brushed Stainless	SGC-NA094-SBR
11/16" - 3/4"	Matte Black	SGC-NA094-SMB

- Non-adjustable
- Measures 2.76" L on either side
- Stainless steel 316



SGC-NA135-SBR

Square Glass-to-Glass Panel Connector, 135° Non-Adjustable Corner

Double sided angled glass panel connector for railing, windscreen, and partition applications.

FINISH	ITEM
Brushed Stainless	SGC-NA135-SBR
Matte Black	SGC-NA135-SMB

- Non-adjustable
- For 3/8" - 1/2" thick glass
- Measures 5.18" L x 1.97" H
- Stainless steel 316



SGC-NA092-SMB

Round Glass-to-Glass Panel Connector, 90° Non-Adjustable Corner

Double sided base clamp for windscreen and partition applications. Adjustable glass tilt.

FINISH	ITEM
Brushed Stainless	SGC-NA092-SBR
Matte Black	SGC-NA092-SMB

- Non-adjustable
- For 1/2" glass thickness
- Measures approx. 3.25" on either side
- Stainless steel 316



SGT-LA180-SBR

Glass-to-Glass Fencing Gate Latch

Glass-to-glass gate latch for spigot base clamp glass fencing.

FINISH	ITEM
Brushed Stainless	SGT-LA180-SBR
Matte Black	SGT-LA180-SMB

- Includes one (1) latch and three (3) keys
- For 5/16" - 1/2" glass thickness
- Measures 4.09" H
- Stainless steel 316



SGC-NA181-SBR

Round Glass-to-Glass Panel Connector, Non-Adjustable

Double sided base clamp for windscreen and partition applications.. Adjustable glass tilt.

FINISH	ITEM
Brushed Stainless	SGC-NA181-SBR
Matte Black	SGC-NA181-SMB

- Non-adjustable
- For 1/2" glass thickness
- Measures 4.17" L
- Stainless steel 316



SGT-LA902-SBR

Glass-to-Glass Fencing Gate Latch, 90° Corner

Glass-to-glass corner gate latch for spigot base clamp glass fencing.

DESCRIPTION	FINISH	ITEM
90° outside corner latch	Brushed Stainless	SGT-LA902-SBR
90° outside corner latch	Matte Black	SGT-LA902-SMB
90° inside corner latch	Brushed Stainless	SGT-LA903-SBR
90° inside corner latch	Matte Black	SGT-LA903-SMB

- Includes one (1) latch and three (3) keys
- For 5/16" - 1/2" glass thickness
- Measures 2.95" H
- Stainless steel 316



SGT-LA903-SBR

GATE HINGE

SGT-HI901-SBR



SGT-HI904-SMB

Gate Spring Glass Fencing Hinges, Glass-to-Glass

Spring-loaded, glass-to-glass gate hinge for spigot base clamp glass fencing.

DESCRIPTION	FINISH	ITEM
With stop pin	Brushed Stainless	SGT-HI901-SBR
With stop pin	Matte Black	SGT-HI901-SMB
Without stop pin	Brushed Stainless	SGT-HI904-SBR
Without stop pin	Matte Black	SGT-HI904-SMB

- Includes two (2) hinges
- For 5/16" - 1/2" glass thickness
- Measures 4.35" H (HI901) and 5.15" H (HI904)
- Stainless steel 316

SGT-HI902-SMB



SGT-HI903-SBR

Gate Spring Glass Fencing Hinges, Glass-to-Post and Glass-to-Wall

Spring-loaded, glass-to-post or glass-to-wall gate hinge for spigot base clamp glass fencing.

POST TYPE	FINISH	ITEM
Round post	Brushed Stainless	SGT-HI902-SBR
Round post	Matte Black	SGT-HI902-SMB
Square post or wall	Brushed Stainless	SGT-HI903-SBR
Square post or wall	Matte Black	SGT-HI903-SMB

- Includes two (2) hinges
- For 5/16" - 1/2" glass thickness
- Measures 4.56" H (HI902) and 5.15" H (HI903)
- Stainless steel 316

VetroRail

▶ HANDRAILS | CAP RAILS

A railing system is only as good as its handrail, and VetroRail delivers the versatility and quality that professional installations demand. This comprehensive line of handrails and cap rails features an extensive array of joining options and styles to complement any architectural design.



Meticulously crafted from 316 Stainless Steel and available in Matte Black and Brushed Stainless finishes, VetroRail systems provide the durability and aesthetic appeal that clients expect.

Whether the application calls for wall-mounted, glass-mounted, or adjustable configurations, these handrails combine functionality with style seamlessly.

The variety of joining options ensures that installers can handle complex layouts efficiently, while the premium materials guarantee long-term performance.

VetroRail systems provide the finishing touch that transforms a functional installation into a polished, professional result.

HANDRAIL TUBES

Note: Handrail components are recommended to have an epoxy adhesive applied at every joint.



HTU-15901-SBR

Round Handrail Tubes

20 ft. (240") long stainless steel tube for handrail applications.

HANDRAIL SIZE	FINISH	ITEM
1.50" O/D	Brushed Stainless	HTU-15901-SBR
1.50" O/D	Matte Black	HTU-15901-SMB
1.66" O/D	Brushed Stainless	HTU-16901-SBR
1.66" O/D	Matte Black	HTU-16901-SMB
1.90" O/D	Brushed Stainless	HTU-19901-SBR
1.90" O/D	Matte Black	HTU-19901-SMB

- 0.08" tube wall thickness
- Measures 20ft. (240") L
- Stainless steel 316
- Ships LTL



HCR-16901-SMB

Round Tube Mitered Corner, 90° Non-Adjustable

Fabricated corner for seamless 90° handrail turn.

HANDRAIL SIZE	FINISH	ITEM
1.50" O/D	Brushed Stainless	HCR-15901-SBR
1.50" O/D	Matte Black	HCR-15901-SMB
1.66" O/D	Brushed Stainless	HCR-16901-SBR
1.66" O/D	Matte Black	HCR-16901-SMB
1.90" O/D	Brushed Stainless	HCR-19901-SBR
1.90" O/D	Matte Black	HCR-19901-SMB

- 0.08" tube wall thickness
- Measures 5.24" L on each side
- Stainless steel 316
- Use with HCO-15901, HCO-16901, HCO-19901



HCO-15901-SMB

Round Tube Inline Connector Insert

Push-fit receiver-to-receiver connector insert connects Mitered Corner to tube handrail.

HANDRAIL SIZE	FINISH	ITEM
For 1.50" O/D tube	Brushed Stainless	HCO-15901-SBR
For 1.50" O/D tube	Matte Black	HCO-15901-SMB
For 1.66" O/D tube	Brushed Stainless	HCO-16901-SBR
For 1.66" O/D tube	Matte Black	HCO-16901-SMB
For 1.90" O/D tube	Brushed Stainless	HCO-19901-SBR
For 1.90" O/D tube	Matte Black	HCO-19901-SMB

- Use with HCR-15901, HCR-16901, HCR-19901
- Measures 2.6" L
- Stainless steel 316

WALL-MOUNTED HANDRAIL BRACKETS

WALL-MOUNTED HANDRAIL FLANGES

Note: Handrail components are recommended to have an epoxy adhesive applied at every joint.

Curved, Wall-mounted Handrail Bracket, Non-Adjustable

Mount on walls with fixed riser and saddle for 1.55", 1.66" and 1.90" O/D handrail tube.



HWB-FS904-SBR

FINISH	ITEM
Brushed Stainless	HWB-FS904-SBR
Matte Black	HWB-FS904-SMB

- Includes:
 - One (1) wall-mounted bracket
 - Two (2) #10 x 5/8" machine screws
 - Three (3) #10 x 1" wood screws
- 2.95" projection
- Bracket base measures 2.36" O/D
- Stainless steel 316
- Fixed riser
- Fixed, welded saddle

Squared, Wall-mounted Handrail Bracket, Adjustable

Mount on walls with fixed or adjustable riser and interchangeable (fixed) saddle.



HWB-FS902-SMB

PROJECTION	FINISH	ITEM
2.24"	Brushed Stainless	HWB-FS903-SBR
2.24"	Matte Black	HWB-FS903-SMB
3.15"	Brushed Stainless	HWB-FS902-SBR
3.15"	Matte Black	HWB-FS902-SMB

- Includes:
 - One (1) wall-mounted bracket
 - One (1) M6 x 10 screw
 - One (1) 3-1/2" M8 to ST8 hanger bolt
 - Two (2) button machine screws
- Bracket base measures 1.97" O/D
- Also includes:
 - One (1) saddle for 1.50" tube
 - One (1) saddle for 1.66" tube
 - One (1) saddle for 1.90" tube
 - One (1) saddle for flat/square tube
- Stainless steel 316
- Adjustable riser
- Fixed - Interchangeable saddle

Squared, Wall-mounted Handrail Bracket, Multi-Adjustable

Mount on walls with adjustable riser and adjustable, interchangeable saddle.



HWB-AD903-SBR

PROJECTION	FINISH	ITEM
2.24"	Brushed Stainless	HWB-AD901-SBR
2.24"	Matte Black	HWB-AD901-SMB
3.15"	Brushed Stainless	HWB-AD903-SBR
3.15"	Matte Black	HWB-AD903-SMB

- Includes:
 - One (1) wall-mounted bracket
 - One (1) M6 x 10 screw
 - One (1) 3-1/2" M8 to ST8 hanger bolt
 - Two (2) flathead machine screws
 - Two (2) button machine screws
- Bracket base measures 1.97" O/D
- Also includes:
 - One (1) glass-mounted bracket
 - One (1) saddle for 1.50" tube
 - One (1) saddle for 1.66" tube
 - One (1) saddle for 1.90" tube
 - One (1) saddle for flat/square tube
- Stainless steel 316
- Adjustable riser
- Adjustable - Interchangeable saddle

Round Tube Wall Flange, 0-90° Adjustable Insert

Inserting wall flange with tube angle adjustability +/- 90°.



HWF-19901-SMB

HANDRAIL SIZE	PROJECTION	BASE O/D	FINISH	ITEM
For 1.50" O/D	2.36"	3.15"	Brushed Stainless	HWF-15901-SBR
For 1.50" O/D	2.36"	3.15"	Matte Black	HWF-15901-SMB
For 1.66" O/D	2.40"	3.27"	Brushed Stainless	HWF-16901-SBR
For 1.66" O/D	2.40"	3.27"	Matte Black	HWF-16901-SMB
For 1.90" O/D	2.72"	3.54"	Brushed Stainless	HWF-19901-SBR
For 1.90" O/D	2.72"	3.54"	Matte Black	HWF-19901-SMB

- Includes one (1) wall bracket and one (1) M8 machine screw
- Mounting hardware not included
- Stainless steel 316
- Adjustable angle of insert +/- 90°

Round Tube Wall Flange, Non-Adjustable Insert

Fixed wall flange inserts to tube from fixed 90° angle.



HWF-15903-SBR

HANDRAIL SIZE	BASE O/D	FINISH	ITEM
For 1.50" O/D	3.94"	Brushed Stainless	HWF-15903-SBR
For 1.50" O/D	3.94"	Matte Black	HWF-15903-SMB
For 1.66" O/D	3.94"	Brushed Stainless	HWF-16903-SBR
For 1.66" O/D	3.94"	Matte Black	HWF-16903-SMB
For 1.90" O/D	3.94"	Brushed Stainless	HWF-19903-SBR
For 1.90" O/D	3.94"	Matte Black	HWF-19903-SMB

- Includes one (1) wall flange
- Mounting hardware not included
- Stainless steel 316
- Non-adjustable

Round Tube Wall Flange, Non-Adjustable Receiver

Fixed wall flange receives handrail tube from fixed 90° angle.



HWF-15902-SMB

HANDRAIL SIZE	BASE O/D	FINISH	ITEM
For 1.50" O/D	3.54"	Brushed Stainless	HWF-15902-SBR
For 1.50" O/D	3.54"	Matte Black	HWF-15902-SMB
For 1.66" O/D	3.35"	Brushed Stainless	HWF-16902-SBR
For 1.66" O/D	3.35"	Matte Black	HWF-16902-SMB
For 1.90" O/D	3.7"	Brushed Stainless	HWF-19902-SBR
For 1.90" O/D	3.7"	Matte Black	HWF-19902-SMB

- Includes one (1) wall flange and one (1) securing pin
- Mounting hardware not included
- Stainless steel 316
- Non-adjustable

GLASS-MOUNTED HANDRAIL BRACKETS

Curved, Glass-mounted Handrail Bracket, Non-adjustable

Mount on glass with fixed riser and saddle.



GLASS THICKNESS	PROJECTION	FINISH	ITEM
3/8" - 3/4"	2-1/4"	Brushed Stainless	HGG-15902-SBR
3/8" - 3/4"	2-1/4"	Matte Black	HGG-15902-SMB
3/8" - 13/16"	3"	Brushed Stainless	HGG-15901-SBR
3/8" - 13/16"	3"	Matte Black	HGG-15901-SMB

- Includes:
 - One (1) glass-mounted bracket
 - One (1) M6 x 10 screw
 - Two (2) button machine screws
 - One (1) gasket
- Bracket base measures 1.97" O/D
- Also include:
 - One (1) saddle for 1.50" tube
 - One (1) saddle for 1.66" tube
 - One (1) saddle for 1.90" tube
 - One (1) saddle for flat/square tube
 - One (1) M6 x 12 screw
- Stainless steel 316
- Fixed riser
- Fixed - Interchangeable saddle

Note: Current 2024 IBC code requires a min 1.50" clearance between the wall and handrail for graspability



Photo courtesy Blu's Shower Door, MA

Glass-mounted Handrail Bracket, Non-Adjustable

Mount on glass with fixed riser and adjustable saddle for 3/8" - 13/16" glass.



HGG-FX902-SMB

PROJECTION	FINISH	ITEM
2-1/4"	Brushed Stainless	HGG-FX902-SBR
2-1/4"	Matte Black	HGG-FX902-SMB
3-1/4"	Brushed Stainless	HGG-FX901-SBR
3-1/4"	Matte Black	HGG-FX901-SMB

- Includes:
 - One (1) glass-mounted bracket
 - Two (2) button machine screws
 - Two (2) gaskets
 - One (1) riser securing pin
- Bracket base measures 1.97" O/D
- Also include:
 - One (1) saddle for 1.50" tube
 - One (1) saddle for 1.66" tube
 - One (1) saddle for 1.90" tube
 - One (1) saddle for flat/square tube
 - One (1) M6 x 12 screw
- Stainless steel 316
- Fixed riser
- Fixed - Interchangeable saddle

Glass-mounted Handrail Bracket, Adjustable

Mount on glass with adjustable riser and saddle for 3/8" - 13/16" glass.



HGG-AD902-SBR

PROJECTION	FINISH	ITEM
2-1/4"	Brushed Stainless	HGG-AD901-SBR
2-1/4"	Matte Black	HGG-AD901-SMB
3-1/4"	Brushed Stainless	HGG-AD902-SBR
3-1/4"	Matte Black	HGG-AD902-SMB

- Includes:
 - One (1) glass-mounted bracket
 - Two (2) flathead machine screws
 - Two (2) button machine screws
 - Two (2) gaskets
- Bracket base measures 1.97" O/D
- Also include:
 - One (1) saddle for 1.50" tube
 - One (1) saddle for 1.66" tube
 - One (1) saddle for 1.90" tube
 - One (1) saddle for flat/square tube
 - One (1) M6 x 10 screw
- Stainless steel 316
- Adjustable riser
- Adjustable - Interchangeable saddle

POST-MOUNTED HANDRAIL BRACKET

Post-mounted Handrail Bracket, Adjustable

Mount to VetroPost 1.90" O/D round post tube with adjustable riser and adjustable, interchangeable saddle.



HBR-19907-SMB

FINISH	ITEM
Brushed Stainless	HBR-19907-SBR
Matte Black	HBR-19907-SMB

- Includes:
 - One (1) glass-mounted bracket
 - One (1) 1-1/2" machine screw
 - Two (2) flathead machine screws
 - Two (2) button machine screws
 - One (1) 1-1/2" post mounting screw
- 3.15" projection
- Also include:
 - One (1) saddle for 1.50" tube
 - One (1) saddle for 1.66" tube
 - One (1) saddle for 1.90" tube
 - One (1) saddle for flat/square tube
 - One (1) M6 x 10 screw
- Stainless steel 316
- Adjustable riser
- Adjustable - Interchangeable saddle

HANDRAIL CORNERS AND ELBOWS

Note: Handrail components are recommended to have an epoxy adhesive applied at every joint.

Round Tube Smoothed Corner, 90° Non-adjustable Insert

Push-fit corner inserts to round handrail.



HEL-15901-SBR

HANDRAIL SIZE	PROJECTION EACH SIDE	FINISH	ITEM
For 1.50" O/D tube	1.18"	Brushed Stainless	HEL-15905-SBR
For 1.50" O/D tube	1.18"	Matte Black	HEL-15905-SMB
For 1.66" O/D tube	1.18"	Brushed Stainless	HEL-16905-SBR
For 1.66" O/D tube	1.18"	Matte Black	HEL-16905-SMB
For 1.90" O/D tube	1.38"	Brushed Stainless	HEL-19905-SBR
For 1.90" O/D tube	1.38"	Matte Black	HEL-19905-SMB

- 0.08" tube wall thickness
- Stainless steel 316
- Non-adjustable



HEL-15901-SBR

Round Tube Corner, 0° - 70° Adjustable Insert

Push-fit corner with adjustability range insert to round handrail.

HANDRAIL SIZE	PROJECTION ON EACH SIDE	FINISH	ITEM
For 1.50" O/D tube	1"	Brushed Stainless	HEL-15901-SBR
For 1.50" O/D tube	1"	Matte Black	HEL-15901-SMB
For 1.66" O/D tube	1.08"	Brushed Stainless	HEL-16901-SBR
For 1.66" O/D tube	1.08"	Matte Black	HEL-16901-SMB
For 1.90" O/D tube	1.18"	Brushed Stainless	HEL-19901-SBR
For 1.90" O/D tube	1.18"	Matte Black	HEL-19901-SMB

- 0.08" tube wall thickness
- 0° - 70° adjustability
- Stainless steel 316
- SMB finish is bolted vs. friction fit of SBR
- Adjustable angle of insert +/- 35°

Round Tube Corner, 90° Non-adjustable Insert

Push-fit corner inserts to round handrail.



HEL-15906-SMB



HEL-15904-SMB

HANDRAIL SIZE	CORNER	PROJECTION EACH SIDE	FINISH	ITEM
For 1.50" O/D tube	Rounded	1.18"	Brushed Stainless	HEL-15906-SBR
For 1.50" O/D tube	Rounded	1.18"	Matte Black	HEL-15906-SMB
For 1.66" O/D tube	Rounded	1.18"	Brushed Stainless	HEL-16906-SBR
For 1.66" O/D tube	Rounded	1.18"	Matte Black	HEL-16906-SMB
For 1.90" O/D tube	Rounded	1.38"	Brushed Stainless	HEL-19906-SBR
For 1.90" O/D tube	Rounded	1.38"	Matte Black	HEL-19906-SMB
For 1.50" O/D tube	Squared	1.18"	Brushed Stainless	HEL-15904-SBR
For 1.50" O/D tube	Squared	1.18"	Matte Black	HEL-15904-SMB
For 1.66" O/D tube	Squared	1.18"	Brushed Stainless	HEL-16904-SBR
For 1.66" O/D tube	Squared	1.18"	Matte Black	HEL-16904-SMB
For 1.90" O/D tube	Squared	1.38"	Brushed Stainless	HEL-19904-SBR
For 1.90" O/D tube	Squared	1.38"	Matte Black	HEL-19904-SMB

- 0.08" tube wall thickness
- Stainless steel 316
- Non-adjustable



HEL-15902-SBR



HEL-15903-SBR

Round Tube Compound Elbow, 0° - 70° Adjustable Left and Right Insert

Push-fit compound elbow with one-sided adjustability range insert to round handrail.

HANDRAIL SIZE	SIDE	FINISH	ITEM
For 1.50" O/D tube	Right	Brushed Stainless	HEL-15902-SBR
For 1.50" O/D tube	Right	Matte Black	HEL-15902-SMB
For 1.66" O/D tube	Right	Brushed Stainless	HEL-16902-SBR
For 1.66" O/D tube	Right	Matte Black	HEL-16902-SMB
For 1.90" O/D tube	Right	Brushed Stainless	HEL-19902-SBR
For 1.90" O/D tube	Right	Matte Black	HEL-19902-SMB
For 1.50" O/D tube	Left	Brushed Stainless	HEL-15903-SBR
For 1.50" O/D tube	Left	Matte Black	HEL-15903-SMB
For 1.66" O/D tube	Left	Brushed Stainless	HEL-16903-SBR
For 1.66" O/D tube	Left	Matte Black	HEL-16903-SMB
For 1.90" O/D tube	Left	Brushed Stainless	HEL-19903-SBR
For 1.90" O/D tube	Left	Matte Black	HEL-19903-SMB

- 0.08" tube wall thickness
- See drawings for exact dimensions
- SMB finish is bolted vs. friction fit of SBR
- 0° - 70° adjustability on one end; fixed 90° on other end
- Stainless steel 316
- Adjustable angle of insert +/- 35°

Round Tube Elbow, 135° Non-adjustable Insert

Push-fit elbow inserts to round handrail.



HCR-15135-SMB

HANDRAIL SIZE	PROJECTION EACH SIDE	FINISH	ITEM
For 1.50" O/D tube	5.56"	Brushed Stainless	HCR-15135-SBR
For 1.50" O/D tube	5.56"	Matte Black	HCR-15135-SMB
For 1.66" O/D tube	5.58"	Brushed Stainless	HCR-16135-SBR
For 1.66" O/D tube	5.58"	Matte Black	HCR-16135-SMB
For 1.90" O/D tube	5.63"	Brushed Stainless	HCR-19135-SBR
For 1.90" O/D tube	5.63"	Matte Black	HCR-19135-SMB

- 0.08" tube wall thickness
- 5.24" projection on each side
- Stainless steel 316
- Non-adjustable

HANDRAIL TERMINATIONS

HANDRAIL AND CAP RAIL EXTRAS

Note: Handrail components are recommended to have an epoxy adhesive applied at every joint.



HEC-16901-SMB

Round Tube Handrail End Cap Insert

Push-fit flat end cap for flush handrail termination.

HANDRAIL SIZE	FINISH	ITEM
For 1.50" O/D tube	Brushed Stainless	HEC-15901-SBR
For 1.50" O/D tube	Matte Black	HEC-15901-SMB
For 1.66" O/D tube	Brushed Stainless	HEC-16901-SBR
For 1.66" O/D tube	Matte Black	HEC-16901-SMB
For 1.90" O/D tube	Brushed Stainless	HEC-19901-SBR
For 1.90" O/D tube	Matte Black	HEC-19901-SMB

- 0.16" cap top thickness
- Stainless steel 316
- Non-adjustable

Round Tube Wall Return, 90° Non-Adjustable Insert

Push-fit 90° wall return terminates end of tube handrail against the wall to mitigate cloth snags and other hazards.



HRT-16901-SMB

HANDRAIL SIZE	FINISH	ITEM
For 1.50" O/D tube	Brushed Stainless	HRT-15901-SBR
For 1.50" O/D tube	Matte Black	HRT-15901-SMB
For 1.66" O/D tube	Brushed Stainless	HRT-16901-SBR
For 1.66" O/D tube	Matte Black	HRT-16901-SMB
For 1.90" O/D tube	Brushed Stainless	HRT-19901-SBR
For 1.90" O/D tube	Matte Black	HRT-19901-SMB

- 2-1/2" projection from tube end and 2.36" termination L
- Stainless steel 316
- Non-Adjustable

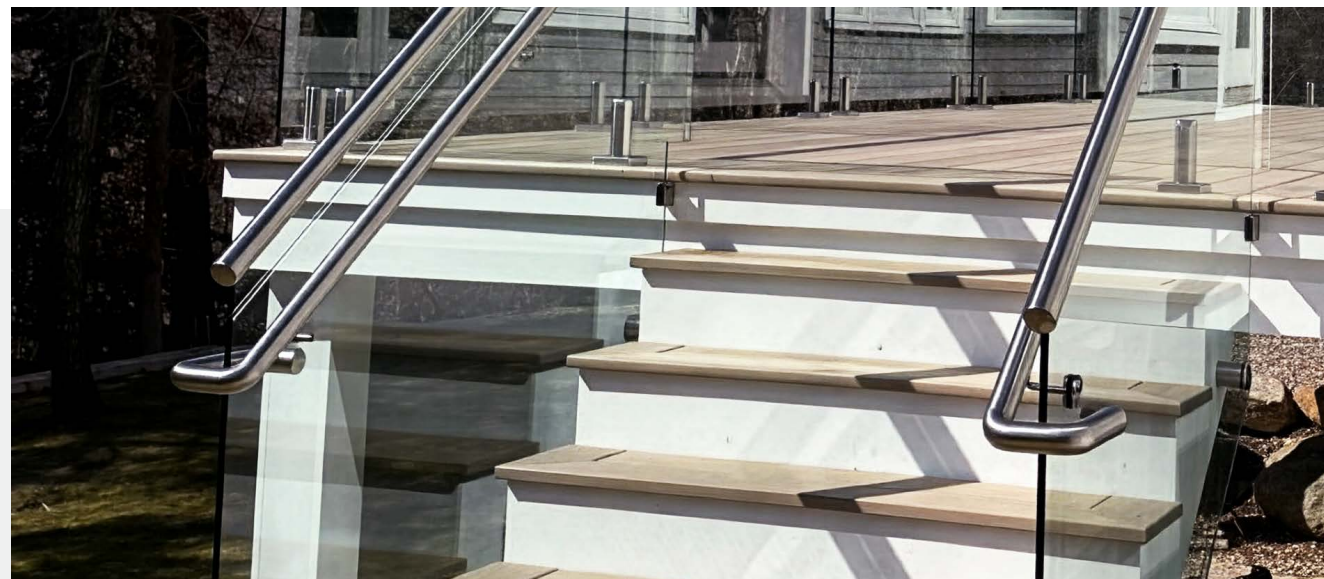


Photo courtesy Blu's Shower Door, MA



HAC-AH901

Loctite Epoxy EA9017

Industry standard adhesive for creating permanent bond between railing connections and parts.

DESCRIPTION	ITEM
29.5 ml ready-mix syringe	HAC-AH901



SAC-MB901

Touch Up Paint Pen

One (1) black marker pen for finish touch up on matte black finish railing hardware.

COLOR	ITEM
Matte Black	SAC-MB901



Saddle Screw - Handrail Bracket

Hex drive screw in brushed stainless finish.

SIZE	ITEM
#10 x 3/4"	HBR-SC901-SBR
#10 x 5/8"	HBR-SC902-SBR
1/4" x 5/8"	HBR-SC903-SBR

- Quantity: Pack of 10
- Stainless steel 316



Handrail Bracket Wood Screw

Countersunk Phillips-drive screw in brushed stainless finish for wood applications.

SIZE	ITEM
3/4"	HBR-SC904-SBR

- Quantity: Pack of 10
- Stainless steel 316



Handrail Bracket Hanger Bolt

Wood thread on one side and machine thread on the other side; for wood applications.

ITEM
HBR-SC905-SBR

- Quantity: Pack of 10
- 3-1/2" L
- Stainless steel 316

VETRAIL CAP RAILS



CRS-RS016-SBR

Round Cap Rail Channel

20 ft. long stainless steel tube both protects top edge of glass rail while also creating round handrail.

CAP RAIL SIZE	FINISH	ITEM
1.66" O/D	Brushed Stainless	CRS-RS016-SBR
1.66" O/D	Matte Black	CRS-RS016-SMB
1.90" O/D	Brushed Stainless	CRS-RS019-SBR
1.90" O/D	Matte Black	CRS-RS019-SMB

- Gasket required; use with gasket sizes per glass thickness for CGA 16011 - CGA-16019 for 1.66" O/D and CGA-16020, CGA-19011 - CGA-19024 for 1.90" O/D
- Stainless steel 316
- Ships LTL

U-shaped Cap Rail Channel

10 ft. and 20 ft. long cap rail stainless steel channel both protects top edge of glass rail while also creating seamless handrail.



CUS-34120-SMB

DESCRIPTION	GLASS THICKNESS	LENGTH	FINISH	ITEM
Gasket required*	1/2" - 3/4"	20 ft	Brushed Stainless	CUS-11901-SBR
Gasket required*	1/2" - 3/4"	20 ft	Matte Black	CUS-11901-SMB
Glue on	1/2"	10 ft	Brushed Stainless	CUS-12120-SBR
Glue on	1/2"	10 ft	Matte Black	CUS-12120-SMB
Glue on	9/16"	10 ft	Brushed Stainless	CUS-09120-SBR
Glue on	9/16"	10 ft	Matte Black	CUS-09120-SMB
Glue on	3/4"	10 ft	Brushed Stainless	CUS-34120-SBR
Glue on	3/4"	10 ft	Matte Black	CUS-34120-SMB

- *To secure with gasket, see gasket sizes per glass thickness for CGA-16011 - CGA-16019
- Stainless steel 316
- Ships LTL

Black Rubber Cap Rail Gasket

20 ft. long black rubber gasket secures u-shaped and round tube cap rail to top of glass panes.



CGA-16011-RBL

CAP RAIL TYPE	FOR ROUND CAP RAIL SIZE	GLASS THICKNESS	ITEM
Round or U-shaped	1.66" O/D	1/2" - 9/16"	CGA-16011-RBL
Round or U-shaped	1.66" O/D	5/8" - 11/16"	CGA-16016-RBL
Round or U-shaped	1.66" O/D	3/4"	CGA-16019-RBL
Round	1.66" O/D	13/16" - 7/8"	CGA-16020-RBL
Round	1.90" O/D	1/2" - 9/16"	CGA-19011-RBL
Round	1.90" O/D	5/8" - 11/16"	CGA-19016-RBL
Round	1.90" O/D	3/4"	CGA-19019-RBL
Round	1.90" O/D	13/16" - 7/8"	CGA-19020-RBL
Round	1.90" O/D	1"	CGA-19024-RBL

- For use with Round Cap Rail Channel CRS-RS016 and CRS-RS019; U-shaped Cap Rail Channel CUS-11901, CUS-12120, CUS-09120, CUS-34120
- Stainless steel 316



CRS-WP016-SMB

Round Cap Rail Wall Flange Receiver

Wall flange terminates cap rail into the wall.

CAP RAIL SIZE	BASE O/D	PROJECTION	FINISH	ITEM
For 1.66" O/D	3.54" O/D	1.18"	Brushed Stainless	CRS-WP016-SBR
For 1.66" O/D	3.54" O/D	1.18"	Matte Black	CRS-WP016-SMB
For 1.90" O/D	3.74" O/D	1.38"	Brushed Stainless	CRS-WP019-SBR
For 1.90" O/D	3.74" O/D	1.38"	Matte Black	CRS-WP019-SMB

- Mounting hardware not included
- Stainless steel 316
- Use Loctite Epoxy HAC-AH901 adhesive to permanently secure

Round Cap Rail Flat End Cap Insert

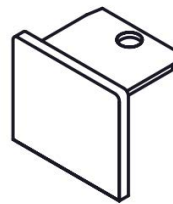
End cap terminates cap rail sections.

CAP RAIL SIZE	FINISH	ITEM
For 1.66" O/D	Brushed Stainless	CRS-EC016-SBR
For 1.66" O/D	Matte Black	CRS-EC016-SMB
For 1.90" O/D	Brushed Stainless	CRS-EC019-SBR
For 1.90" O/D	Matte Black	CRS-EC019-SMB

- 0.16" cap top thickness
- Stainless steel 316
- Includes one (1) end cap and one (1) M6 securing pin
- Use Loctite Epoxy HAC-AH901 adhesive to permanently secure



CRS-EC016-SMB



CUS-EC902-SBR

U-shaped Cap Rail Flat End Cap

End cap glues to inside top of cap rail channel and creates seamless look for cap rail ends.

GLASS THICKNESS	FINISH	ITEM
1/2"	Brushed Stainless	CUS-EC903-SBR
1/2"	Matte Black	CUS-EC903-SMB
9/16"	Brushed Stainless	CUS-EC904-SBR
9/16"	Matte Black	CUS-EC904-SMB
3/4"	Brushed Stainless	CUS-EC902-SBR
3/4"	Matte Black	CUS-EC902-SMB

- Use Loctite Epoxy HAC-AH901 adhesive to permanently secure tab to inside of cap rail channel
- Stainless steel 316

U-shaped Cap Rail Flat End Cap Insert

End cap inserts to cap rail channel and creates seamless look for cap rail ends.

FINISH	ITEM
Brushed Stainless	CUS-EC901-SBR
Matte Black	CUS-EC901-SMB

- Compatible with CUS-11901 U-shaped cap rail
- Stainless steel 316
- Cap rail gasket must be trimmed to fit end cap



CUS-EC901-SBR

CAP RAIL CONNECTORS AND CORNERS

Note: Cap Rail components are recommended to have an epoxy adhesive applied at every joint.



CRS-IN016-SBR

Round Cap Rail Inline Connector, Non-Adjustable Insert

Inline connector allows seamless long cap rail sections that require multiple caprail channels.

CAP RAIL SIZE	FINISH	ITEM
For 1.66" O/D	Brushed Stainless	CRS-IN016-SBR
For 1.66" O/D	Matte Black	CRS-IN016-SMB
For 1.90" O/D	Brushed Stainless	CRS-IN019-SBR
For 1.90" O/D	Matte Black	CRS-IN019-SMB

- Includes one (1) connector and four (4) M6 securing pins
- Use Loctite Epoxy HAC-AH901 adhesive to permanently secure
- Stainless steel 316
- Non-adjustable



CRS-9H016-SBR

Round Cap Rail Corner, 90° Non-Adjustable Insert

Corner connector allows seamless long cap rail sections that require multiple caprail channels.

CAP RAIL SIZE	FINISH	ITEM
For 1.66" O/D	Brushed Stainless	CRS-9H016-SBR
For 1.66" O/D	Matte Black	CRS-9H016-SMB
For 1.90" O/D	Brushed Stainless	CRS-9H019-SBR
For 1.90" O/D	Matte Black	CRS-9H019-SMB

- Includes four (4) M8 securing pins
- Use Loctite Epoxy HAC-AH901 adhesive to permanently secure
- Stainless steel 316
- Non-adjustable



CRS-AU016-SBR

Round Cap Rail Elbow, Adjustable Up and Down 22° - 55° Insert

Adjustability allows for a cap rail corner to immediately transition to an upward elevation change.

CAP RAIL SIZE	DIRECTION	FINISH	ITEM
For 1.66" O/D	Up	Brushed Stainless	CRS-AU016-SBR
For 1.66" O/D	Up	Matte Black	CRS-AU016-SMB
For 1.90" O/D	Up	Brushed Stainless	CRS-AU019-SBR
For 1.90" O/D	Up	Matte Black	CRS-AU019-SMB
For 1.66" O/D	Down	Brushed Stainless	CRS-AD016-SBR
For 1.66" O/D	Down	Matte Black	CRS-AD016-SMB
For 1.90" O/D	Down	Brushed Stainless	CRS-AD019-SBR
For 1.90" O/D	Down	Matte Black	CRS-AD019-SMB

- Adjustable angle from 22°-55°
- Includes one (1) elbow and four (4) M8 securing pins
- Use Loctite Epoxy HAC-AH901 glue to permanently secure
- Stainless steel 316
- Adjustable angle of insert 22° - 55°



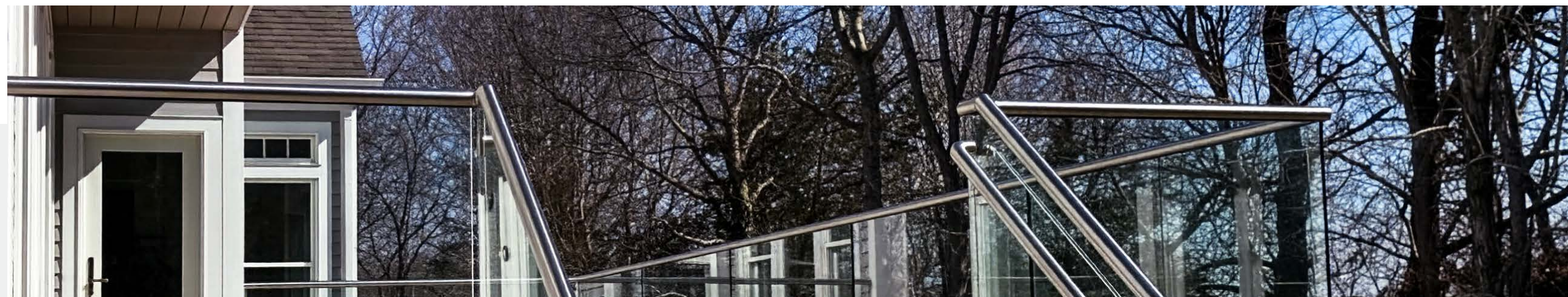
CUS-CR901-SBR

Mitered Corner for U-shaped Cap Rail, 90° Non-Adjustable

Horizontal 90° center turn cap rail used to seamlessly transition glass railing corners.

DESCRIPTION	GLASS THICKNESS	FINISH	ITEM
Gasket required*	1/2" - 13/16"	Brushed Stainless	CUS-CR901-SBR
Gasket required*	1/2" - 13/16"	Matte Black	CUS-CR901-SMB
Glue required**	CUS-11901	Brushed Stainless	CUS-CR903-SBR
Glue required**	1/2"	Matte Black	CUS-CR903-SMB
Glue required**	9/16"	Brushed Stainless	CUS-CR904-SBR
Glue required**	9/16"	Matte Black	CUS-CR904-SMB
Glue required**	3/4"	Brushed Stainless	CUS-CR902-SBR
Glue required**	3/4"	Matte Black	CUS-CR902-SMB

- *Rubber gasket CGA-16011-RBL required to secure
- **Use Loctite Epoxy HAC-AH901 adhesive to permanently secure
- Measures 19.69" on each side
- Stainless steel 316
- Non-adjustable





 **Bohle**

925 Lydia Ave, Kansas City, MO 64106

T +1 888 838 6006

support@portalshardware.com

www.portalshardware.com



Summer 2026
L.02.108.0626